



Instruction Manual

Karmel Kool Units & Pro Plants

Model Series 2169 and 2622 (Karmel Kool)
Model Series 2790 and 2791 (Pro Plant)



Model 2622KK



Model 2169KK



Model 2791-00-000



Model 2790-00-000



GOLD MEDAL® PRODUCTS CO.

10700 Medallion Drive, Cincinnati, Ohio 45241-4807 USA



Table of Contents

SAFETY PRECAUTIONS	3
INSTALLATION INSTRUCTIONS	5
Inspection of Shipment	5
Manual.....	5
Model Description	5
Setup	6
Electrical Requirements (Karmel Kool Units Only)	6
Before You Plug In Machine.....	7
OPERATING INSTRUCTIONS	8
Controls and Their Functions (Karmel Kool Units Only).....	8
Karmel Kool Operating Instructions.....	8
Pro Plant Operating Instructions	8
Care and Cleaning	9
Daily Unit Cleaning Instructions.....	9
Filter Cleaning Instructions (Karmel Kool Units only)	10
MAINTENANCE INSTRUCTIONS	11
ORDERING SPARE PARTS	12
Model 2169KK – Parts.....	13
Model 2622KK – Parts Breakdown.....	14
Model 2622KKD – Parts Breakdown.....	16
Model Series 2790 and 2791 – Parts Breakdown	18
Wiring Diagram	20
WARRANTY	22



SAFETY PRECAUTIONS

	⚠ DANGER
	<p>Machine must be properly grounded to prevent electrical shock to personnel. Failure to do so could result in serious injury, or death. DO NOT immerse any part of this equipment in water. DO NOT use excessive water when cleaning. Keep cord and plug off the ground and away from moisture. Always unplug the equipment before cleaning or servicing. Make sure all machine switches are in the OFF position before plugging the equipment into the receptacle.</p> <p>008_051514</p>

	⚠ DANGER
	<p>Improper installation, adjustment, alteration, service, or maintenance can cause property damage, injury, or death. Any alterations to this equipment will void the warranty and may cause a dangerous condition. This appliance is not intended to be operated by means of an external timer or separate remote-control system. NEVER make alterations to this equipment. Read the Installation, Operating, and Maintenance Instructions thoroughly before installing, servicing, or operating this equipment.</p> <p>014_020416</p>

	⚠ WARNING
	<p>ALWAYS wear safety glasses when servicing this equipment.</p> <p>010_010914</p>

	⚠ WARNING
	<p>No user serviceable parts inside. Refer servicing to qualified service personnel.</p> <p>011_051514</p>

	⚠ WARNING
	<p>Read and understand operator's manual and all other safety instructions before using this equipment. To order copies of the operator's manual go to gmpopcorn.com or write to Gold Medal Products Co., 10700 Medallion Drive, Cincinnati, OH 45241 USA 1-(800)-543-0862</p> <p>022_060215</p>

	⚠ WARNING
	<p>DO NOT allow direct contact of this equipment by the public when used in food service locations. Only personnel trained and experienced in the equipment operation may operate this equipment. Carefully read all instructions before operation.</p> <p>012_010914</p>



A circular icon with a red border and a diagonal slash, containing a black hand with fingers spread, indicating a prohibition against touching or handling.	⚠ WARNING
This machine is NOT to be operated by minors.	
007_010914	

Note: Improvements are always being made to Gold Medal's equipment. This information may not be the latest available for your purposes. It is critical that you call Gold Medal's Technical Service Department at 1-800-543-0862 for any questions about your machine operations, replacement parts, or any service questions. (Gold Medal Products Co. does not assume any liability for injury due to careless handling and/or reckless operation of this equipment.) General images may be used in manual for reference only.



INSTALLATION INSTRUCTIONS

Inspection of Shipment

After unpacking, check thoroughly for any damage which may have occurred in transit. Claims should be filed immediately with the transportation company. The warranty does not cover damage that occurs in transit, or damage caused by abuse, or consequential damage due to the operation of this machine, since it is beyond our control (reference warranty in back of manual).

Manual

Read and understand the operator's manual and all other safety instructions before using this equipment. To order copies of the operator's manual go to gmpopcorn.com or write to Gold Medal Products Co., 10700 Medallion Drive, Cincinnati, OH 45241 USA 1-(800)-543-0862.

Model Description

Karmel Kool Units:

- 2169KK:** Corn Treat Cooling Table – may be used with a 5 or 10 Gallon Corn Treat Unit mounted on a separate base (Corn Treat Unit and base are available for purchase separately, not included with the Karmel Kool Unit).
- 2622KK:** Corn Treat Cooling Table – may be used with either a 10 or 20 Gallon Corn Treat Unit (Corn Treat Unit is available for purchase separately, not included with the Karmel Kool Unit).
- 2622KKD:** Twin Corn Treat Cooling Table – may be used with either the 10 or 20 Gallon Corn Treat Units (Corn Treat Units are available for purchase separately, not included with the Karmel Kool Unit).

Pro Plant Assembly – Pro Plant Tables can hold 36, 48 or 60 oz. Cornado Popper, see description below. (Popper units are not included with the Pro Plant Table):

- 2790-00-000** – 42" Pro Plant Assembly – Single Kettle Popcorn Table with 3/8" screening holes in pan for butterfly popcorn (order popper separately).
- 2790-00-001** – 42" Pro Plant Assembly – Single Kettle Popcorn Table with 1/2" screening holes in pan for mushroom popcorn (order popper separately).
- 2791-00-000** – 79" Pro Plant Assembly – Twin Kettle Popcorn Table with 3/8" screening holes in pan for butterfly popcorn (order popper separately).
- 2791-00-001** – 79" Pro Plant Assembly – Twin Kettle Popcorn Table with 1/2" screening holes in pan for mushroom popcorn (order popper separately).

Setup



This unit is fully assembled, follow the setup steps below prior to operating the unit.

1. Remove all packaging and tape.
2. Position the unit on a level surface and lock the caster wheels into place.
3. **For units which accept a popper/corn treat unit(s) mounted to the base:** The cookers may be preinstalled at the factory or require installation during unit setup (reference the manual provided with the popper or corn treat unit for complete installation and operation instructions).
4. **Karmel Kool Units** have an efficient filtration system, open the filter door to access the filter. The filter is replaceable only (reference cleaning section for replacement instructions).
5. Make sure the pan is setting flat on the unit for use and the chute door is in place.
6. After setup, the unit should be cleaned (see Care and Cleaning section).

Electrical Requirements (Karmel Kool Units Only)

The following power supply must be provided (reference unit Data Plate for Wattage requirement):

2169KK, 2622KK, 2622KKD: 120 V~, 60 Hz

	 DANGER
	<p>Machine must be properly grounded to prevent electrical shock to personnel. Failure to do so could result in serious injury, or death. DO NOT immerse any part of this equipment in water. DO NOT use excessive water when cleaning. Keep cord and plug off the ground and away from moisture. Always unplug the equipment before cleaning or servicing. Make sure all machine switches are in the OFF position before plugging the equipment into the receptacle.</p> <p>008_051514</p>

A certified electrician must furnish sufficient power for proper machine operation and install any supplied receptacle (reference unit Data Plate for model specific Volts AC, Hertz, and Wattage requirements). We recommend this equipment be on a dedicated and protected circuit. Failure to wire properly will void the warranty and may result in damage to the machine. It is Gold Medal Products Co.'s recommendation that this machine be plugged directly into a wall outlet. The use of extension cords is not recommended due to safety concerns, and may cause sacrificed and/or reduced performance. Make sure cord is located to prevent a trip hazard or unit upset. Units with an IEC Power Cord - make sure the IEC cord is properly seated into the IEC receptacle before powering up the machine.



Before You Plug In Machine

1. Make sure all machine switches are OFF before plugging equipment into receptacle.
2. Make sure wall outlet can accept the grounded plugs (where applicable) on the power supply cord.
3. The wall outlet must have the proper polarity. If in doubt, have a competent electrician inspect the outlet and correct if necessary.
4. **DO NOT** use a grounded to un-grounded receptacle adapter (where applicable).
5. Install unit in a level position.

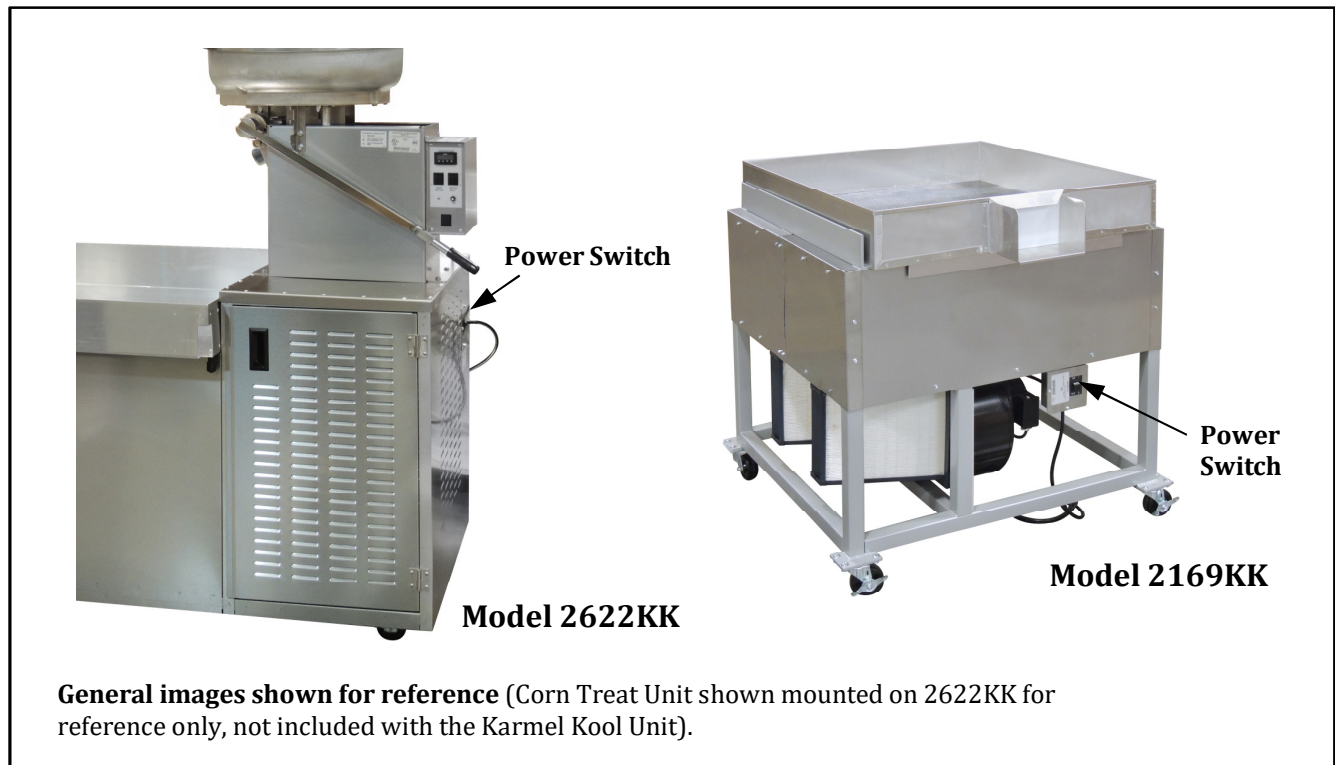
	 CAUTION
	If the supply cord is damaged, it must be replaced by Gold Medal Products Co., its service agent or similarly qualified persons in order to avoid a hazard. <small>039_080614</small>

OPERATING INSTRUCTIONS

Controls and Their Functions (Karmel Kool Units Only)

POWER SWITCH

Two position, ON/OFF lighted rocker switch - supplies power to the unit.



Karmel Kool Operating Instructions

To operate a Karmel Kool Unit (Model Series 2169 and 2622):

1. Make sure the pan is setting flat on the unit for use and the chute door is in place.
2. Turn the Power Switch ON to start the filter system before the caramel corn is dumped into the pan.
3. After the caramel corn is dumped into the cooling pan, spread the corn out and mix/separate it using two popcorn scoops.
4. Allow the filter system to operate until the product is completely cooled.

Pro Plant Operating Instructions

1. Make sure the pan is setting flat on the unit for use and the chute door is in place.
2. After the popcorn is dumped into the corn pan, carefully sift the corn to remove any bits and seeds, then corn is ready for use.

Care and Cleaning

	⚠ DANGER
	<p>Machine must be properly grounded to prevent electrical shock to personnel. DO NOT immerse in water. DO NOT clean appliance with a water jet. Always unplug the equipment before cleaning or servicing.</p> <p style="text-align: right;">025_111616</p>

	⚠ WARNING
	<p>To avoid serious burns, DO NOT touch the kettle while it is hot!</p> <p style="text-align: right;">028_082715</p>

Good sanitation practice demands that all food preparation equipment be cleaned regularly (only use non-toxic, food grade cleaners). A clean looking, well-kept machine is one of the best ways of advertising your product.

For surfaces needing further cleaning or degreasing, Watchdog Stainless Cleaner (Item No. 2088) or Watchdog Concession Equipment Degreaser (Item No. 2580) is available for use accordingly. For any cleaning products used, follow the manufacturer's instructions on the product. **DO NOT use oven cleaners or abrasive materials** as they will damage parts of machine.

Daily Unit Cleaning Instructions

Follow the instructions below to clean the Karmel Kool Unit or Pro-Plant Table. Reference the Popper or Corn Treat Unit for care and cleaning instructions for the cooker/popper unit.

1. Turn machine OFF, unplug unit and allow the Karmel Kool Unit or Pro-Plant Table (and cooker if applicable) to cool before attempting to clean.
2. Remove any remaining popcorn.
3. Empty debris pans or bins (if applicable) of any popcorn bits and seeds.
4. Clean all pans/bins and accessories – items may be taken to the sink to clean with soap and water, then rinse and dry.
5. Clean under corn pan to remove any debris with a vacuum as needed.
6. Wipe clean unit surfaces using a clean, SLIGHTLY damp cloth (cloth may be SLIGHTLY dampened with soap and water, then wipe again with clean water to remove any remaining cleaner).
7. Reinstall the clean, dry pans/accessories.





Filter Cleaning Instructions (Karmel Kool Units only)



Karmel Kool Units are equipped with an efficient and durable filtration system. The filter is replaceable only, it should be changed as needed depending on environment conditions.



1. Open the filter access door (a vacuum may be used to remove debris, as needed).
2. Pull out the filter far enough to check/replace the filter (note the orientation of the filter for ease of reinstallation).
3. After filter reinstallation, close the filter access door. DO NOT operate the unit without the filter in place.





MAINTENANCE INSTRUCTIONS

	 DANGER
	<p>Machine must be properly grounded to prevent electrical shock to personnel. Failure to do so could result in serious injury, or death. DO NOT immerse any part of this equipment in water. DO NOT use excessive water when cleaning. Keep cord and plug off the ground and away from moisture. Always unplug the equipment before cleaning or servicing. Make sure all machine switches are in the OFF position before plugging the equipment into the receptacle.</p> <p>008_051514</p>

	 DANGER
	<p>Improper installation, adjustment, alteration, service, or maintenance can cause property damage, injury, or death. Any alterations to this equipment will void the warranty and may cause a dangerous condition. This appliance is not intended to be operated by means of an external timer or separate remote-control system. NEVER make alterations to this equipment. Read the Installation, Operating, and Maintenance Instructions thoroughly before installing, servicing, or operating this equipment.</p> <p>014_020416</p>

	 WARNING
	<p>No user serviceable parts inside. Refer servicing to qualified service personnel.</p> <p>011_051514</p>

	 CAUTION
	<p>THE FOLLOWING SECTIONS OF THIS MANUAL ARE INTENDED ONLY FOR QUALIFIED SERVICE PERSONNEL WHO ARE FAMILIAR WITH ELECTRICAL EQUIPMENT. THESE ARE NOT INTENDED FOR THE OPERATOR.</p> <p>027_010914</p>



ORDERING SPARE PARTS

1. Identify the needed part by checking it against the photos, illustrations, and/or parts list. (General images may be used in manual for reference only.)
2. Use only approved replacement parts when servicing this unit.
3. When ordering, please include part number, part name, and quantity needed.
4. Please include your model number, serial number, and date of manufacture (located on the machine nameplate/data plate) with your order.
5. Address all parts orders to Parts Department, Gold Medal Products Co., 10700 Medallion Drive, Cincinnati, Ohio 45241-4807

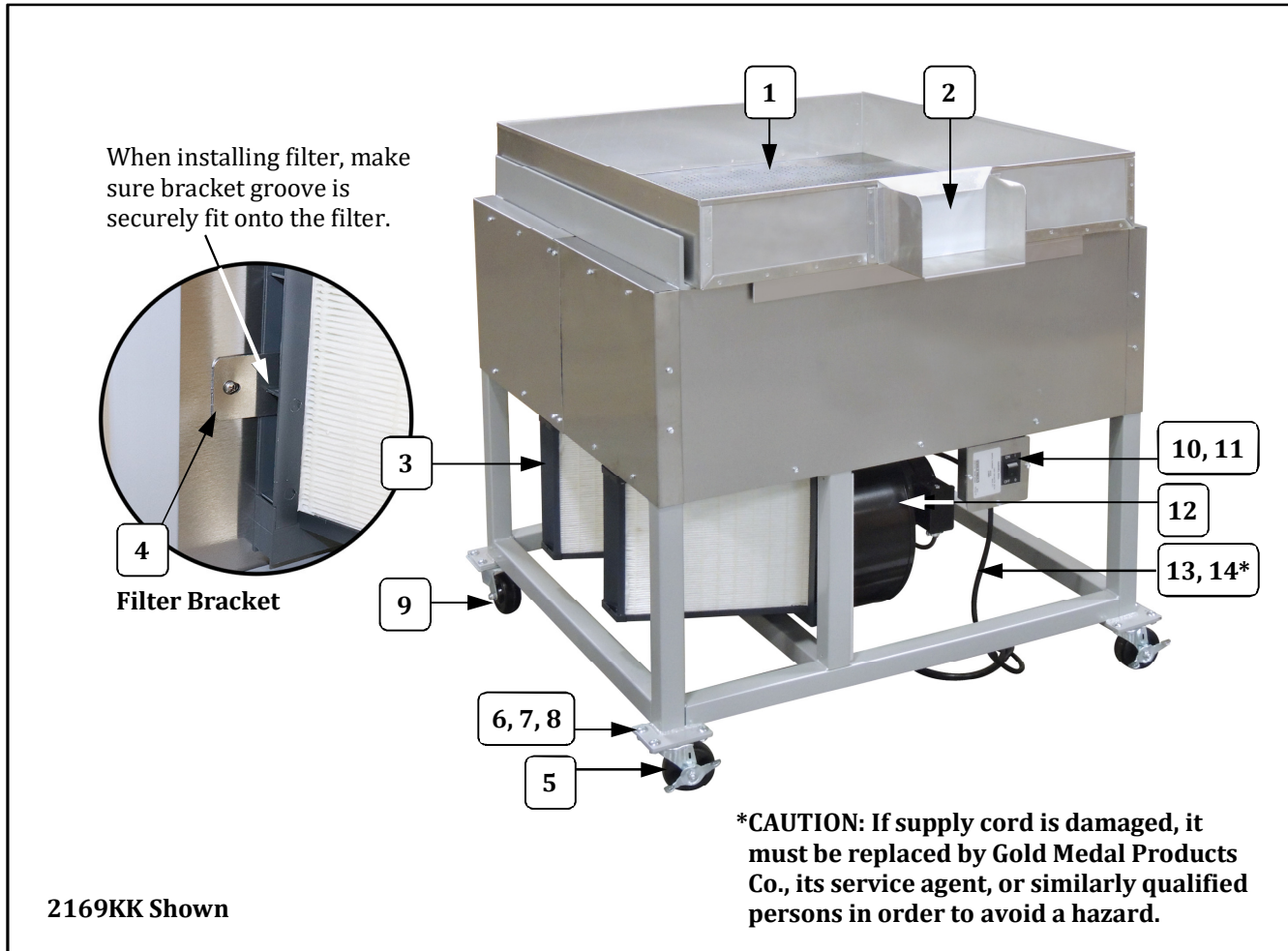
or place orders by phone or online:

Phone: (800) 543-0862
(513) 769-7676

Fax: (800) 542-1496
(513) 769-8500

E-mail: info@gmpopcorn.com
Web Page: gmpopcorn.com

Model 2169KK – Parts

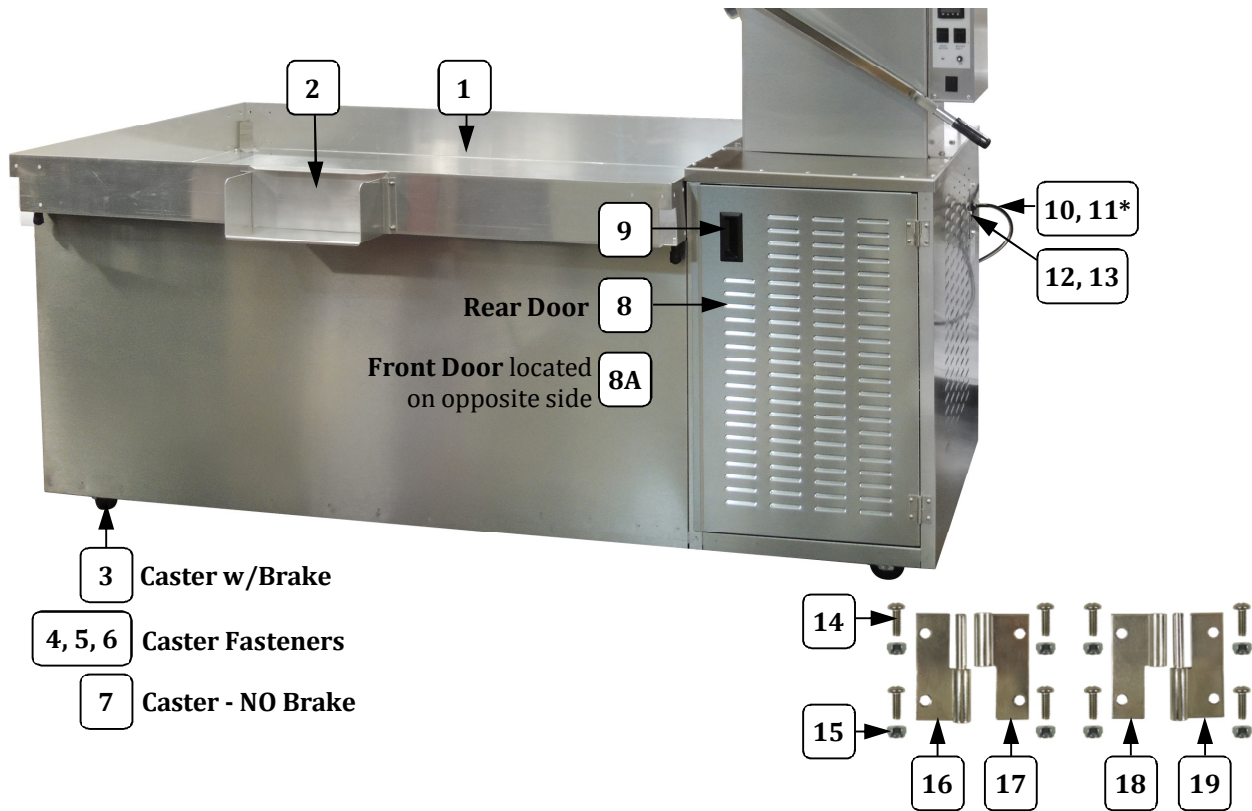


Item	Part Description	Part Number
		2169KK
1	COOLING PAN ASSY	18730
2	NSF PAN CHUTE DOOR	101486
3	DOWNDRAFT BOX FILTER	62710
4	2169KK FILTER BRACKET	77897
5	NSF SWIVEL CSTR W/LOCK	37514
6	5/16-18 X 5/8 PH TR M/S	46638
7	WASHER 5/16 INT TOOTH	74137
8	5/16-18 SERRATED LOCK NUT	49317
9	SWIVEL CASTER W/O LOCK	37513
10	SWITCH, LIGHTED ROCKER GR	42798
11	ROCKER SW. LABEL ON/OFF	13015
12	BLOWER	18712
13	STRAIN RELIEF SR-11-2 RA	87194
14*	POWER SUPPLY CORD 15 AMP	22038

Model 2622KK – Parts Breakdown

Corn Treat Unit shown mounted for reference only, see Corn Treat Unit Manual for parts.

***CAUTION: If supply cord is damaged, it must be replaced by Gold Medal Products Co., its service agent, or similarly qualified persons in order to avoid a hazard.**



Interior Parts



Model 2622KK shown for general parts reference (Corn Treat Unit not included).



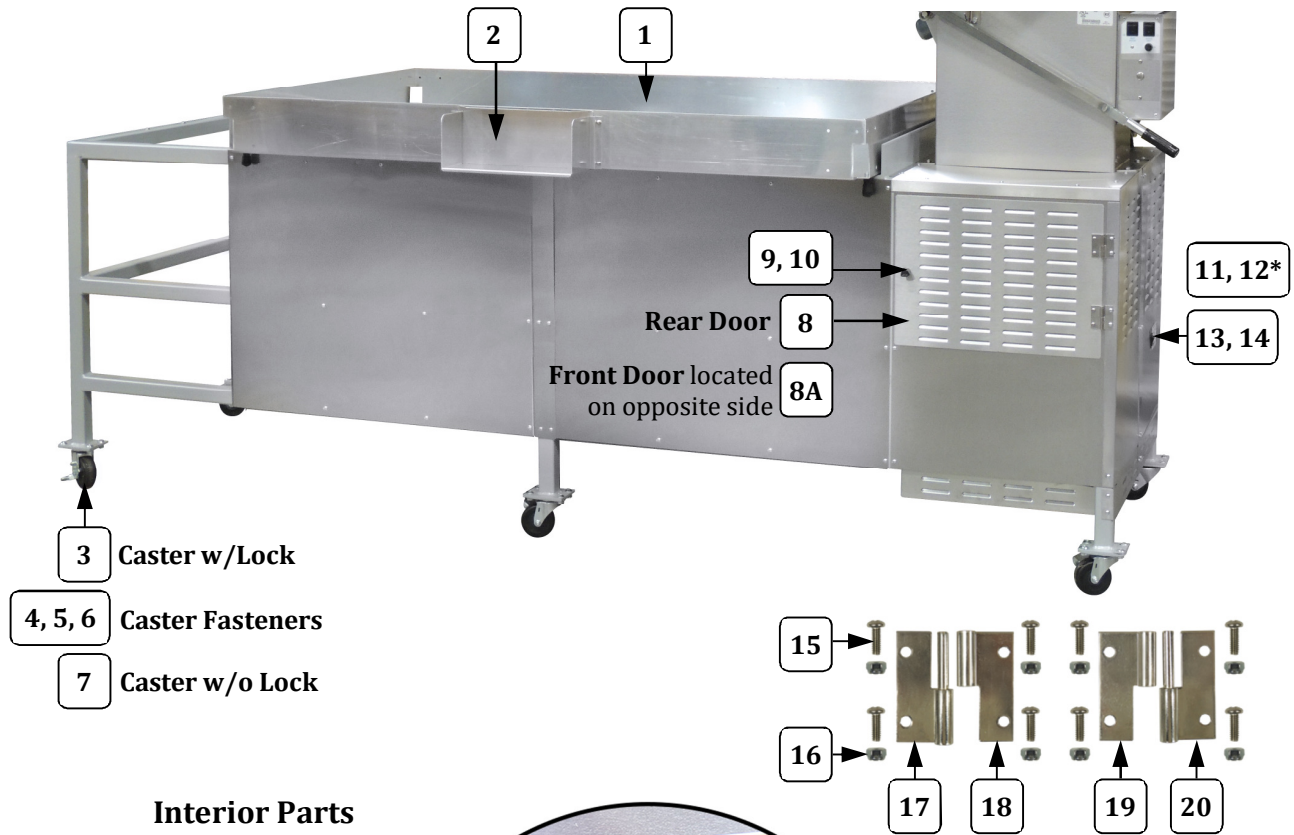
Model 2622KK – Parts List

Item	Part Description	Part Number
		2622KK
1	COOLING PAN ASSY	69646
2	CHUTE DOOR	114440
3	3 IN HD CASTER W/BRAKE	70042
4	5/16-18 X 5/8 PH TR M/S	46638
5	WASHER 5/16 INT TOOTH	74137
6	5/16-18 SERRATED LOCK NUT	49317
7	3 IN HD CASTER NO BRAKE	70023
8	REAR DOOR	18771
8A	FRONT DOOR	18770
9	FLUSH MOUNT HANDLE	82698
10	STRAIN RELIEF SR-6P3-4 (for power cord)	76026
11*	POWER SUPPLY CORD 15 AMP	22038
12	SWITCH, LIGHTED ROCKER GR	42798
13	ROCKER SW. LABEL ON/OFF	13015
14	8-32 X 1/2 PHIL PN M/S SS	42226
15	8-32 HEX NUT, ESLOK, S.S.	22070
16	MALE HINGE SHORT LEFT	41349
17	FEMALE HINGE LEFT	41355
18	FEMALE HINGE RIGHT	41354
19	MALE HINGE SHORT RIGHT	41350
20	BLOWER	62728
21	BOX FILTER	62710
22	FILTER CLIP	18781

Model 2622KKD – Parts Breakdown

Corn Treat Unit shown mounted for reference only, see Corn Treat Unit Manual for parts.

***CAUTION: If supply cord is damaged, it must be replaced by Gold Medal Products Co., its service agent, or similarly qualified persons in order to avoid a hazard.**



Interior Parts

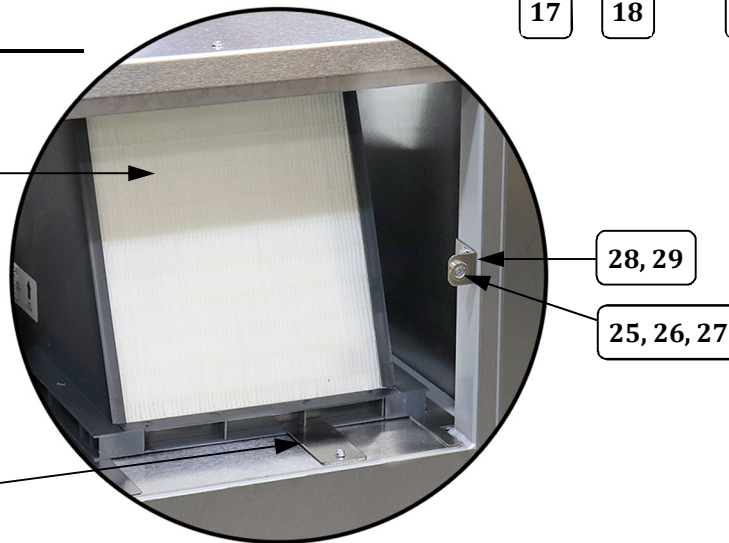
Blower (not shown) 21

Filter 22



Filter Brackets

(When installing filter, make sure bracket groove is securely fit onto the filter.)



Model 2622KKD shown for general parts reference (Corn Treat Unit not included).

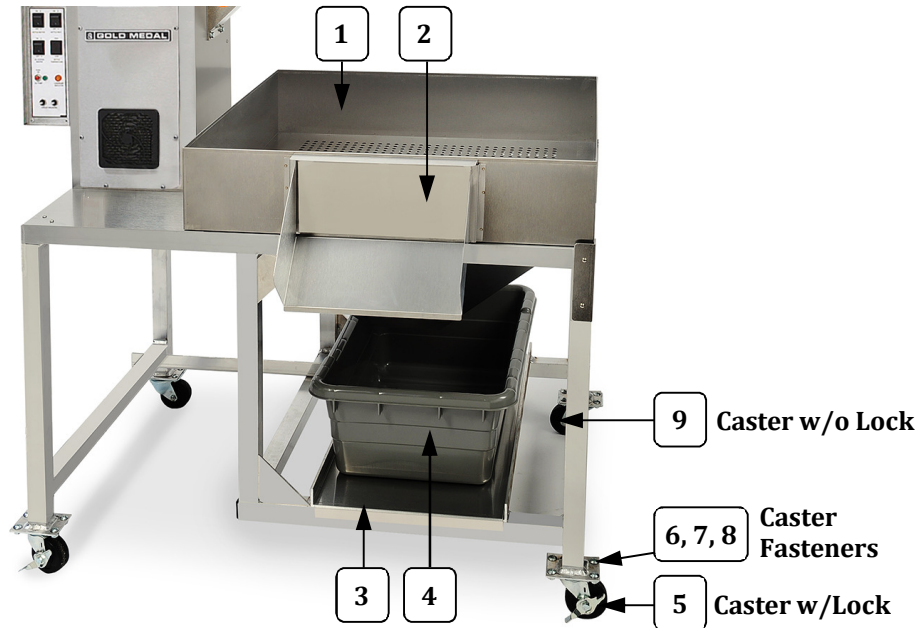


Model 2622KKD – Parts List

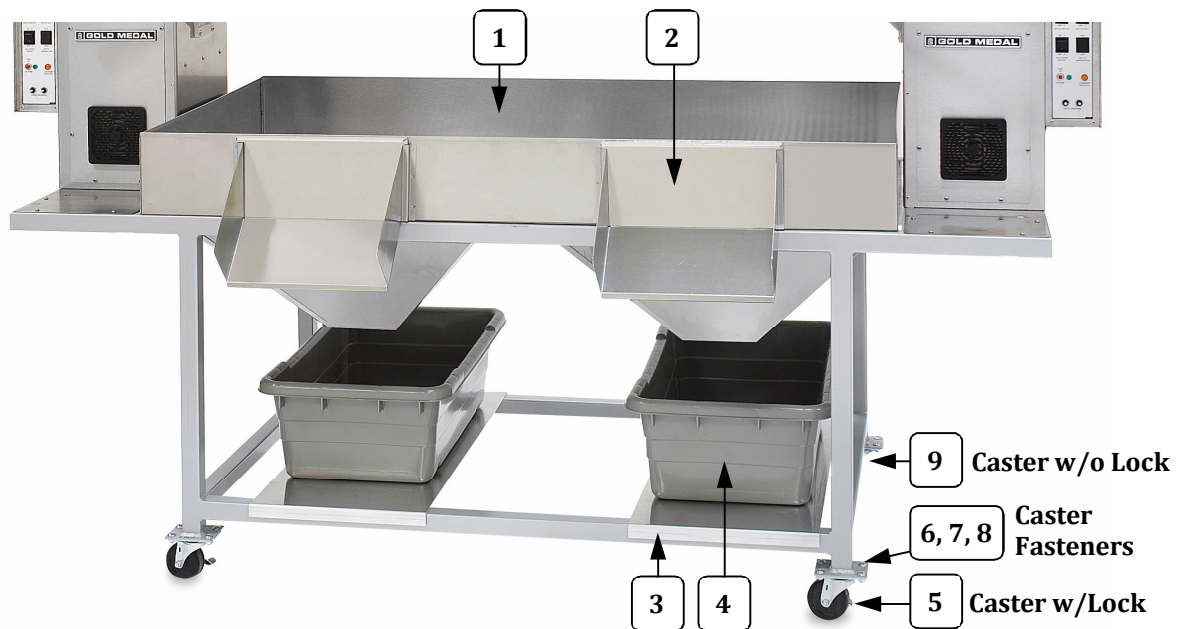
Item	Part Description	Part Number
		2622KKD
1	COOLING PAN ASSY	69646
2	CHUTE DOOR	114440
3	NSF SWIVEL CSTR W/LOCK	37514
4	5/16-18 X 5/8 PH TR M/S	46638
5	WASHER 5/16 INT TOOTH	74137
6	5/16-18 SERRATED LOCK NUT	49317
7	SWIVEL CASTER W/O LOCK	37513
8	REAR DOOR	48858
8A	FRONT DOOR	48857
9	KNOB	47120
10	8-32 X 3/8 SLT. HWH M/S (screw to fasten knob)	42044
11	STRAIN RELIEF SR-6P3-4 (for power cord)	76026
12*	POWER SUPPLY CORD 15 AMP	22038
13	SWITCH, LIGHTED ROCKER GR	42798
14	ROCKER SW. LABEL ON/OFF	13015
15	8-32 X 1/2 PHIL PN M/S SS	42226
16	8-32 HEX NUT, ESLOK, S.S.	22070
17	MALE HINGE SHORT LEFT	41349
18	FEMALE HINGE LEFT	41355
19	FEMALE HINGE RIGHT	41354
20	MALE HINGE SHORT RIGHT	41350
21	BLOWER	62728
22	BOX FILTER	62710
23	FILTER BRACKET B (long bracket)	77896
24	FILTER BRACKET A (short bracket)	77895
25	MAGNET	50013
26	8-32X1/2 FL HD PH MS (fastener for magnet)	20066
27	HEX NUT #8-32 ESLOK (fastener for magnet)	74146
28	DOOR STOP (bracket)	48856
29	8-32 X 3/8 SLT. HWH M/S (fastener for bracket)	42044

Model Series 2790 and 2791 – Parts Breakdown

Cornado Units shown mounted for reference only, see Cornado Unit Manual for parts.



2790-00-000 shown for general image reference (Cornado unit not included).



2791-00-000 shown for general image reference (Cornado units not included).



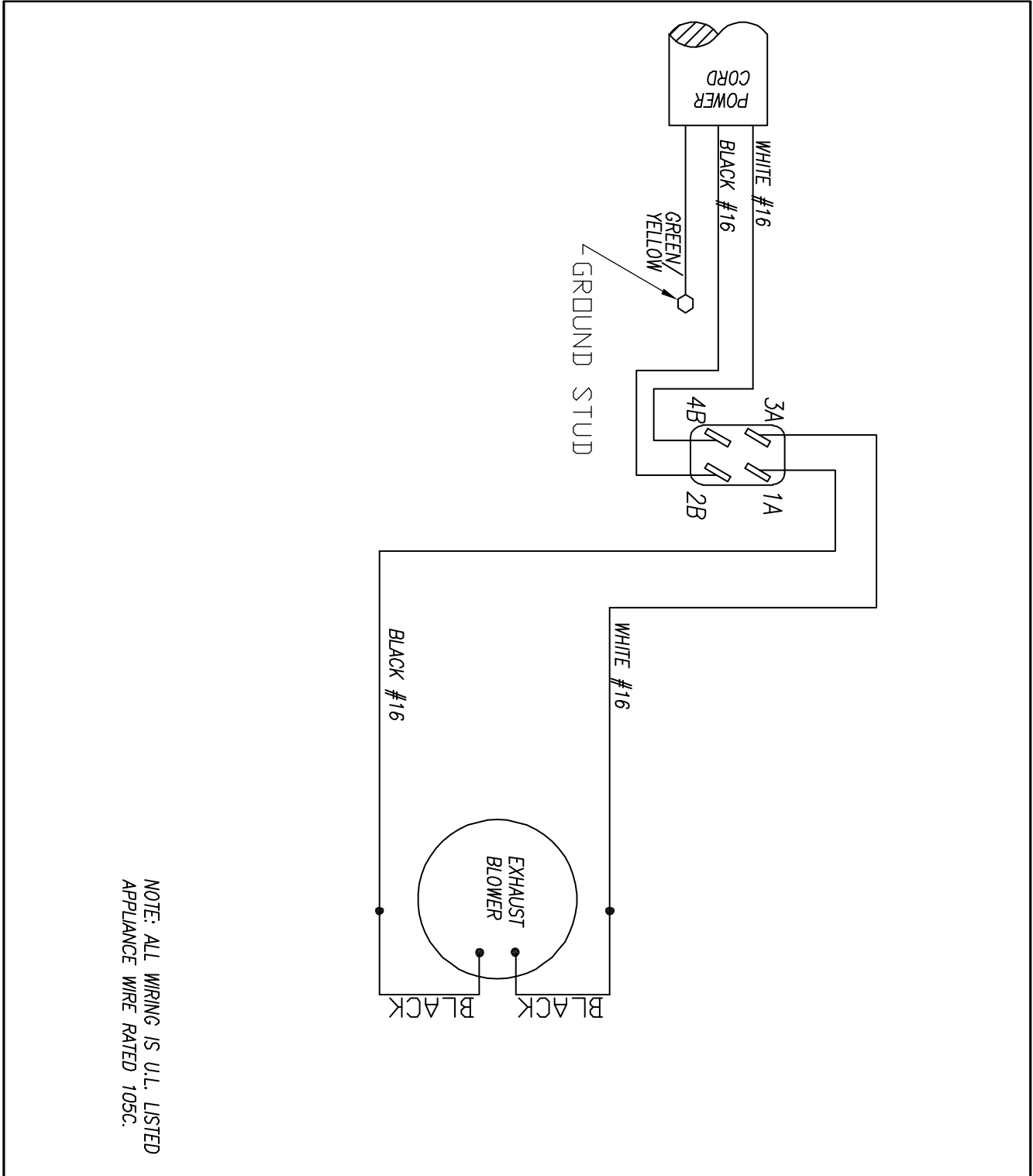
Model Series 2790 and 2791 – Parts List

Item	Part Description	Part Number			
		2790-00-000	2790-00-001	2791-00-000	2791-00-001
1	SCREENING PAN WELDMENT (3/8" Holes)	69223		114145	
	SCREENING PAN WELDMENT (1/2" Holes)		69223MM		103187
2	HD DOOR FOR WIDE CHUTE	69575	69575	69575	69575
3	SHELF PRO PLANT TABLE	69228	69228	69228	69228
4	CORN BIN	41689	41689	41689	41689
5	NSF SWIVEL CSTR W/LOCK	37514	37514	37514	37514
6	5/16-18 X 5/8 PH TR M/S	46638	46638	46638	46638
7	WASHER 5/16 INT TOOTH	74137	74137	74137	74137
8	5/16-18 SERRATED LOCK NUT	49317	49317	49317	49317
9	SWIVEL CASTER W/O LOCK	37513	37513	37513	37513



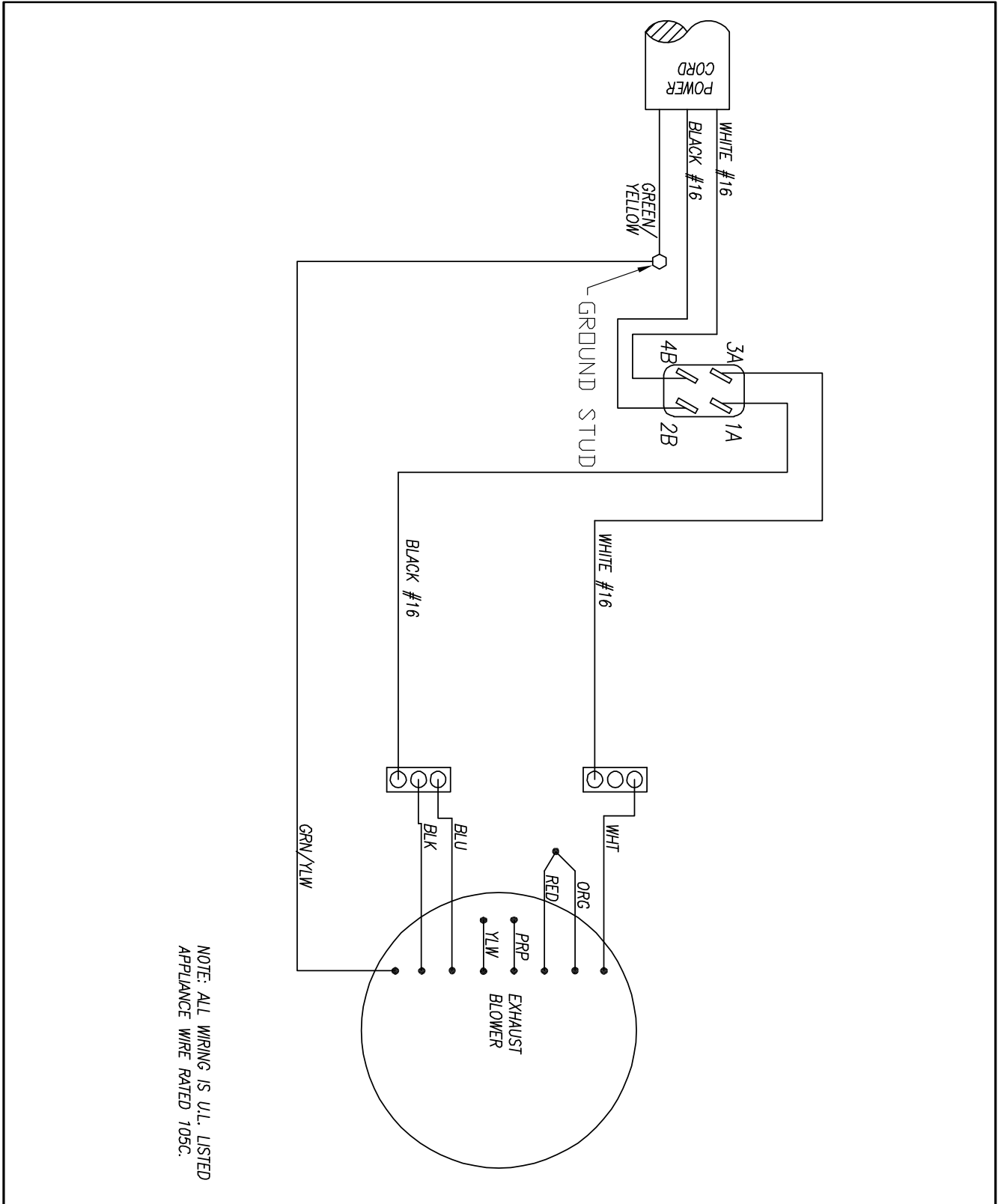
Wiring Diagram

Model No. 2169KK





Model No. 2622KK and 2622KKD





WARRANTY

Gold Medal Products Co. warrants to the original purchaser each item of its manufacture to be free of defects in workmanship and material under normal use and service. Gold Medal Products Co.'s obligation under this warranty is limited solely to repairing or replacing parts, f.o.b. Cincinnati, Ohio, which in its judgment are defective in workmanship or material and which are returned, freight prepaid, to its Cincinnati, Ohio factory or other designated point. Except for "Perishable Parts" on specific machines, the above warranty applies for a period of two (2) years from the date of original sale to the original purchaser of equipment when recommended operating instructions and maintenance procedures have been followed. These are packed with the machine. Parts warranty is two (2) years, labor is six (6) months.

THIS WARRANTY IS IN LIEU OF ALL OTHER WARRANTIES EXPRESSED OR IMPLIED, AND OF ALL OTHER OBLIGATIONS OR LIABILITIES ON OUR PART, INCLUDING THE IMPLIED WARRANTY OF MERCHANTABILITY. THERE ARE NO WARRANTIES WHICH EXTEND BEYOND THE DESCRIPTION ON THE FACE HEREOF. In no event shall Gold Medal Products Co. be liable for special, incidental or consequential damages. No claim under this warranty will be honored if the equipment covered has been misused, neglected, damaged in transit, or has been tampered with or changed in any way. No claim under this warranty shall be honored in the event that components in the unit at the time of the claim were not supplied or approved by Gold Medal Products Co. This warranty is effective only when electrical items have been properly attached to city utility lines only at proper voltages. This warranty is not transferable without the written consent of Gold Medal Products Co.

The term "Original Purchaser" as used in this warranty shall be deemed to mean that person, firm, association, or corporation who was billed by the GOLD MEDAL PRODUCTS CO., or their authorized distributor for the equipment.

THIS WARRANTY HAS NO EFFECT AND IS VOID UNLESS THE ORIGINAL PURCHASER FIRST CALLS GOLD MEDAL PRODUCTS CO. AT 1-800-543-0862 TO DISCUSS WITH OUR SERVICE REPRESENTATIVE THE EQUIPMENT PROBLEM, AND, IF NECESSARY, FOR INSTRUCTIONS CONCERNING THE REPAIR OR REPLACEMENT OF PARTS.

NOTE: This equipment is manufactured and sold for commercial use only.



GOLD MEDAL[®] PRODUCTS CO.

10700 Medallion Drive, Cincinnati, Ohio 45241-4807 USA

gmpopcorn.com

Phone: (800) 543-0862 Fax: (800) 542-1496
(513) 769-7676 (513) 769-8500